

QUICK START GUIDE

Smartzoom 100

Version: 1.0 (April 2025)



You're done before you know it.

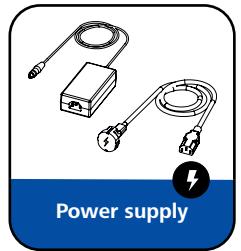
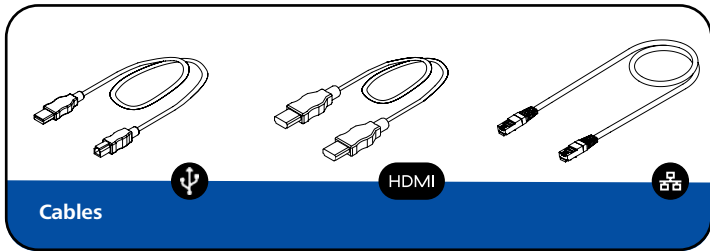
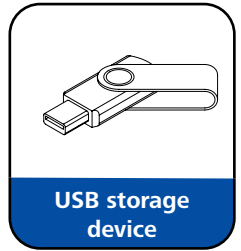
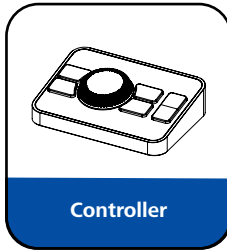
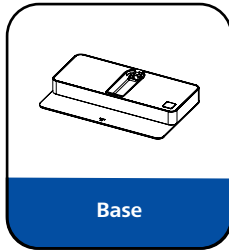
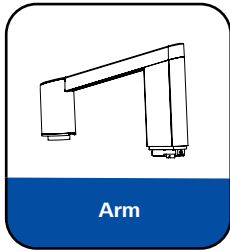
Assembling and installing the Smarzoom 100 is a simple four step process and requires no extra tools.

In fact, everything you need is laid out on the right-hand side of this page and is included with your delivery.

Easy, right?

Let's get started.

Here is what is needed to assemble your Smartzoom 100

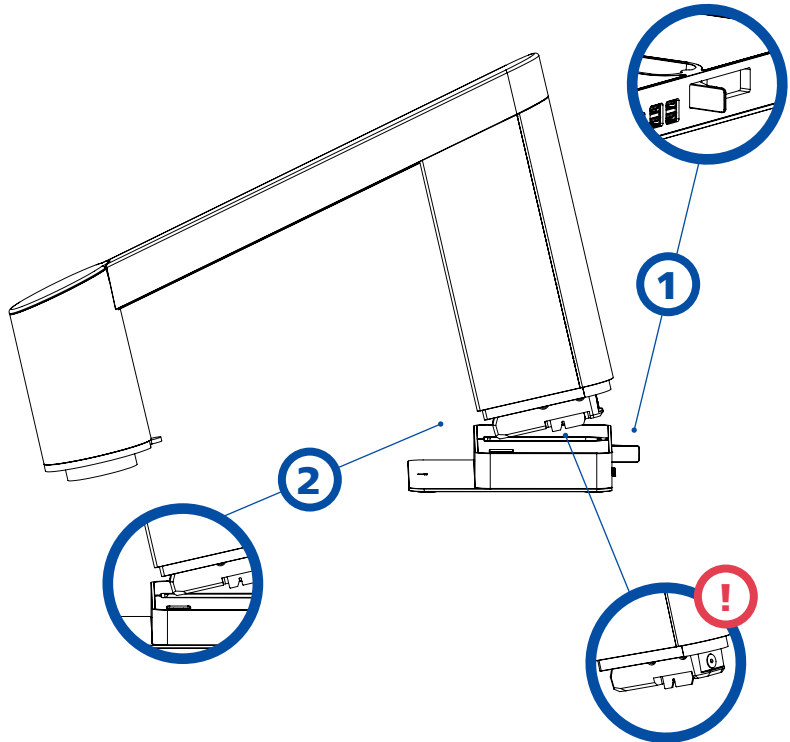


Turn page to start the assembly

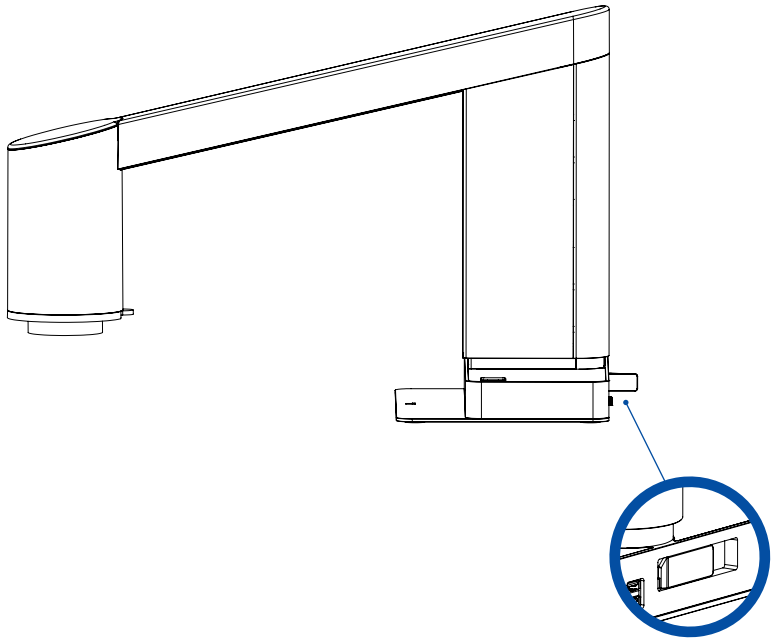


1 Open hatch and tilt arm forward to place it in the base

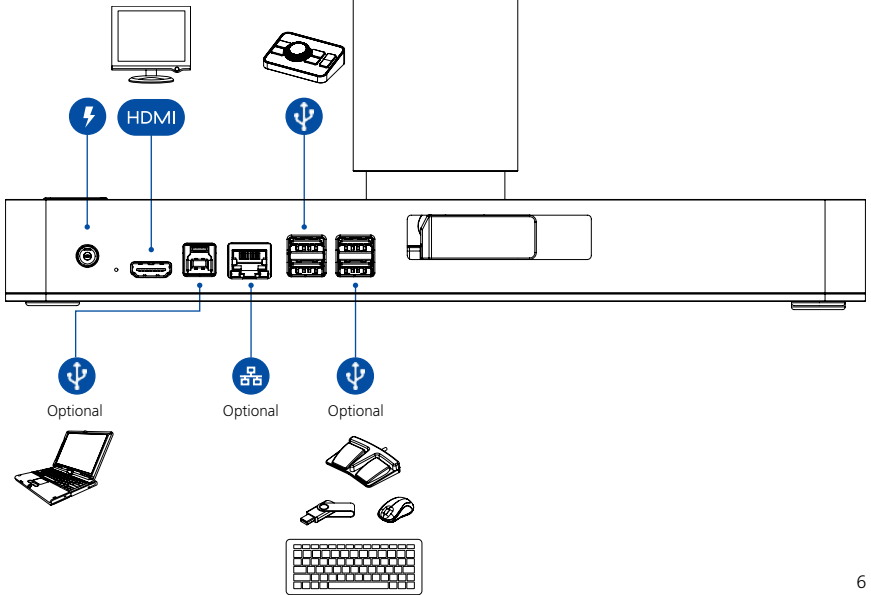
Be careful with the protruding PCB when tilting the arm upright.



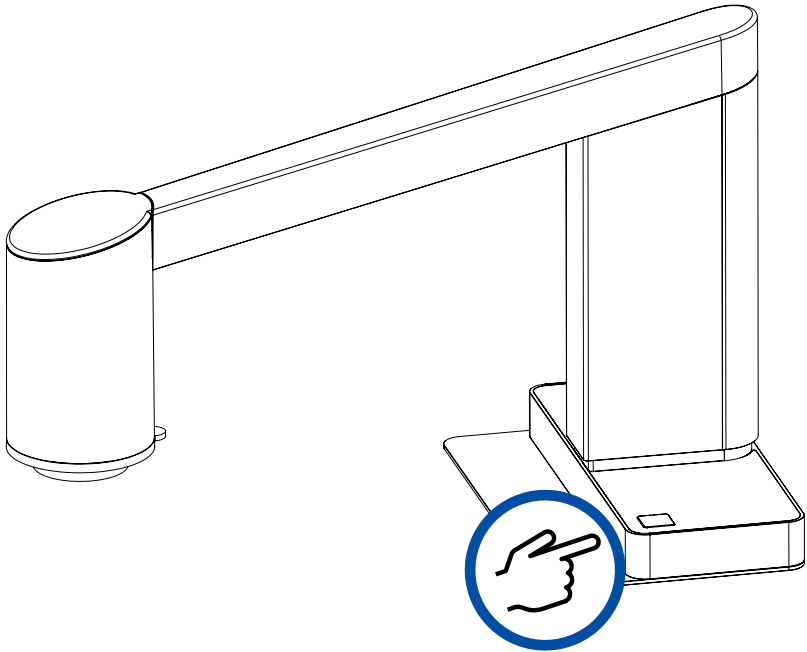
2 Tilt the arm upright and close the hatch



3 Connect the cables



- 4** Press the power button when it lights up



5 How to use the controller

Back

Navigate back in menu
(when menu is open).

Menu

Open/exit menu.



Navigate menu / control zoom

- Rotate button to navigate through the menu when open.
- Rotate button to zoom in and out (when the menu is closed).

Select/Confirm or Toggle focus mode

Short press

Select/confirm selection (when menu is open).

Long press

Toggle between Autofocus and Manual focus mode (when menu is closed).

Image capture

Short press

Take image without graphics.

Long press

Take image with graphics.

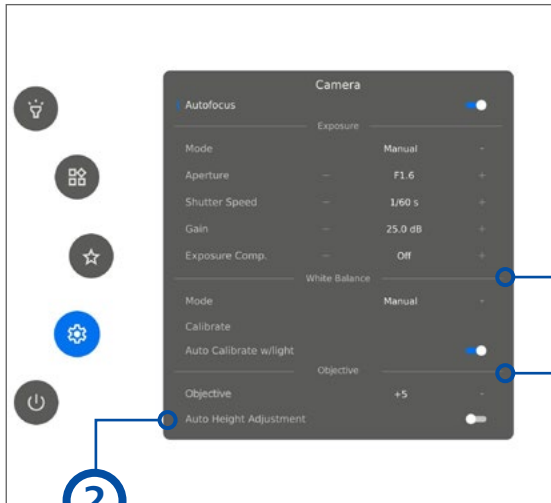
Adjustment microscope height

Move microscope up or down.

Go to Favourite menu

Quick access to user configured menu with short cut to favourite apps, functions and presets.

6 How to get a sharp image



2

Activate Auto Height Adjustment

Find the right free working distance by activating Auto Height Adjustment.

Free working distance

- Objective +3: 330 mm (12.99")
- Objective +5: 200 mm (7.87")
- Objective +10: 78 mm (3.07")
- Objective +25: 34 mm (1.34")

Perform White balance calibration

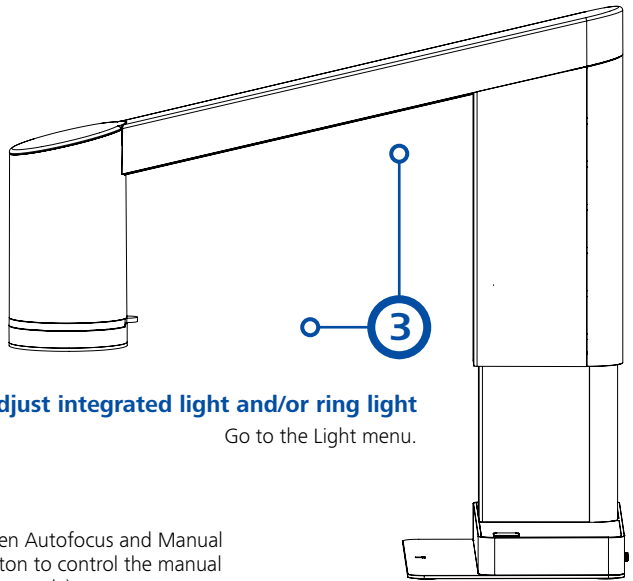
Place a Gray card in the microscope's field of view or use a white piece of paper for accurate color display.

4

1

Specify objective

Check that the objective in the menu matches the objective mounted on the microscope.



Adjust integrated light and/or ring light

Go to the Light menu.

Control manual focus

Long press to toggle between Autofocus and Manual focus mode. Rotate the button to control the manual focus (when in Manual focus mode).



That's it.

Well done, you've successfully assembled and installed your Smartzoom 100.

To learn how to use your new microscope, please have a look at the included manual.

You can also scan this QR code to find the manual in different language versions.



authorized dealer:
Pulch + Lorenz microscopy
Neustrasse 43, 79312 Emmendingen
tel: 07641 9360 300
fax: 07641 9360 320
mail: kontakt@pulchlorenz.de
web: www.pulchlorenz.de

CONTACT US

<https://www.zeiss.com/microscopy/en/service-support/support/contact.html>



OTHER LANGUAGES?

Scan me to find the Smartzoom 100 manual in different language versions.

